

36 mm COIL SERIES

C36 COILS

Ø 13 mm-22 W

1 DESCRIPTION

- Magnetic circuit encapsulated with thermoplastic resins.
- Standard colour black.
- Metallic parts protected against oxidation.

2 ORDERING CODE

| | | | |
|-----|-----|-----|-----|
| (1) | (2) | (3) | (4) |
| C36 | - | - | - |

(1) C36: Coil type

(2) Dimensions
no designation: standard ID
L: wide ID, see table 4

(3) Electric voltages:

- 012C
- 024C
- 024R
- 048R
- 110R
- 220R

(4) Connections:

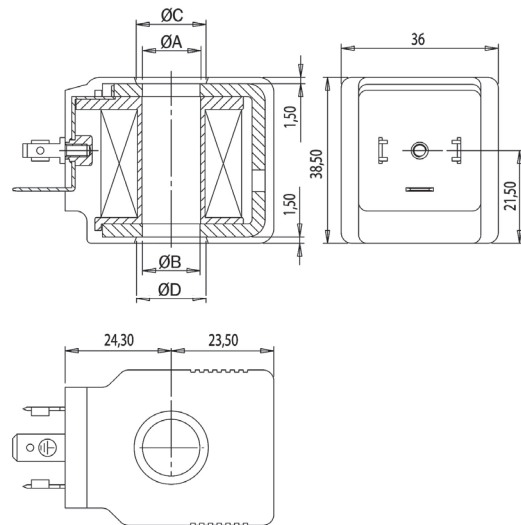
- no designations: DIN 4365/A
- C: flying leads
- K: Kostal M27x1
- A: AMP Junior
- D: Deutsch connection
- ES : "energy saving" connector with LED

3 TECHNICAL DATA

| | |
|------------------------------|--|
| Typical nominal voltages | - 12-24VDC - 24-110-220RAC |
| Class H coil as from the IEC | 85 standard |
| Class H wire | 200°C |
| Duty cycle | ED 100% code, voltages, currents and power consumption. |
| see table for coils: | 012C, 024C, 048C for VDC 024R, 110R, 220R for RAC (rectified alternate current) |

6 TECHNICAL DATA

| Coil with ISO/DIN connector | voltage DC | nominal current (A) | resistance cold (Ω) | nominal power (W) | insulation class |
|-----------------------------|---------------|---------------------|---------------------|-------------------|------------------|
| C36-012C | V 12 DC | 1,9 | 6,3 | 22,8 | H |
| C36-024C | V 24 DC | 0,95 | 25,6 | 22,5 | |
| C36-024R | V 24 RAC | 1,05 | 20,2 | 23 | |
| C36-048C | V 48 DC | 0,47 | 102 | 22,6 | |
| C36-110R | V 110-115 RAC | 0,23 | 420 | 22,9 | |
| C36-220R | V 220-230 RAC | 0,11 | 1720 | 22,3 | |



4 INTERNAL DIAMETERS

| | øA(mm) | øC(mm) |
|------|--------|--------|
| C36 | 13,2 | 17 |
| C36L | 14 | 17 |

5 CONNECTION OPTIONS

DIN 4365/A-ISO 4400

DEUTSCH

FLYING LEADS

AMP JUNIOR

